



Rimage DLN5200™ Setup and Installation

Before you begin:

This document is intended for people who are familiar with hardware setup, software installation, and Windows operating systems.

If you do not understand the procedures in this document, ask your computer technician for help.

1 Set up your DLN5200.

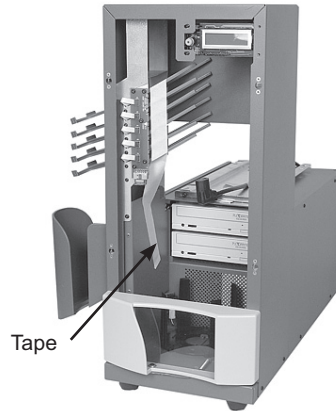
a. On the DLN5200, remove the **tape** from the front cover.



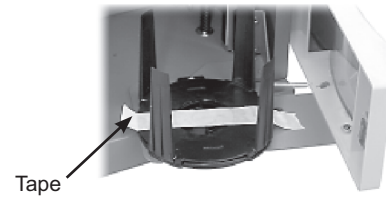
b. Remove the **front cover**.



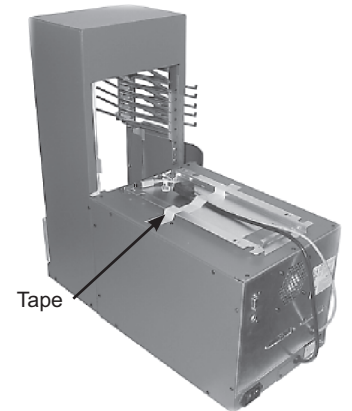
c. Inside the DLN5200, remove the **tape** from the transfer slides.



d. Remove the **tape** from the supply bin.

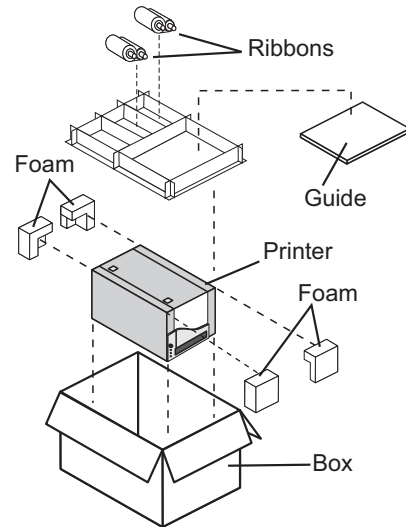


e. Remove the **tape** from the printer mounting plate.

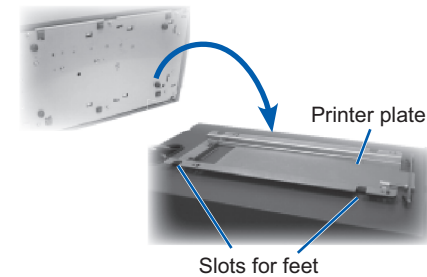


2 Set up your printer.

- a. Unpack the **Everest printer**. Refer to the *Everest Unpacking and Setup Instructions* included with your Everest printer.

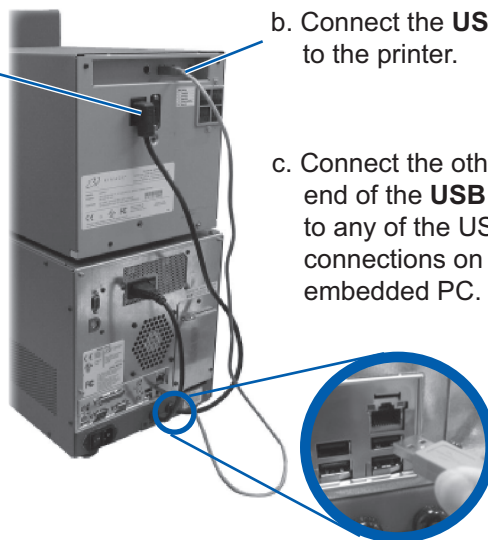


- b. Place the **printer** on the DLN5200 so that the plastic feet slide into the slots on the printer plate.



3 Connect the printer cables.

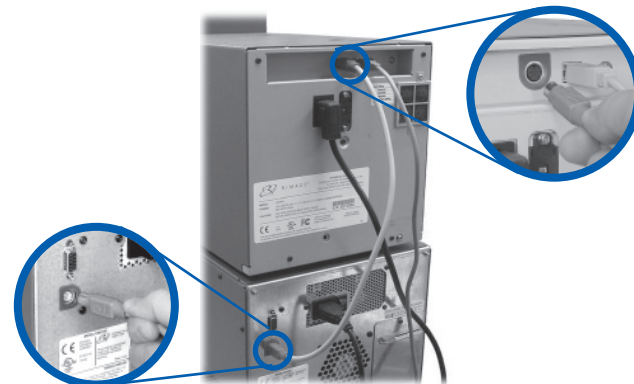
- a. Connect the **short power cord** from the DLN5200 to the printer.



- b. Connect the **USB cable** to the printer.

- c. Connect the other end of the **USB cable** to any of the USB connections on the embedded PC.

- d. Connect the **D-shaped cable** from the DLN5200 to the printer as indicated by the D-shaped label.



4 Connect the DLN5200 cables.

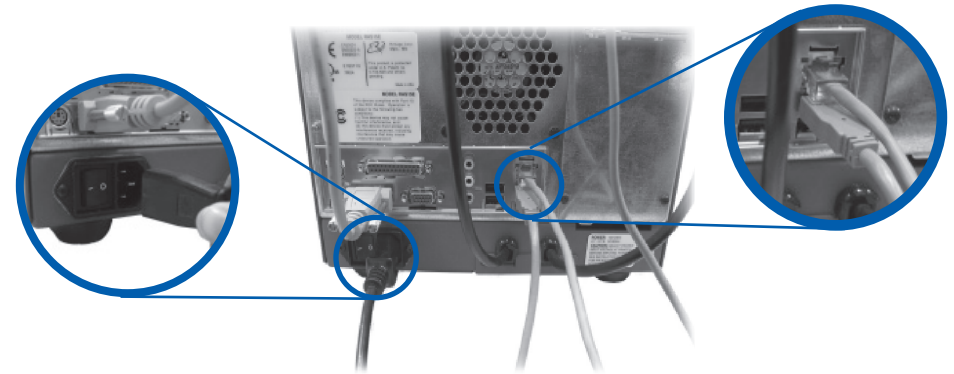
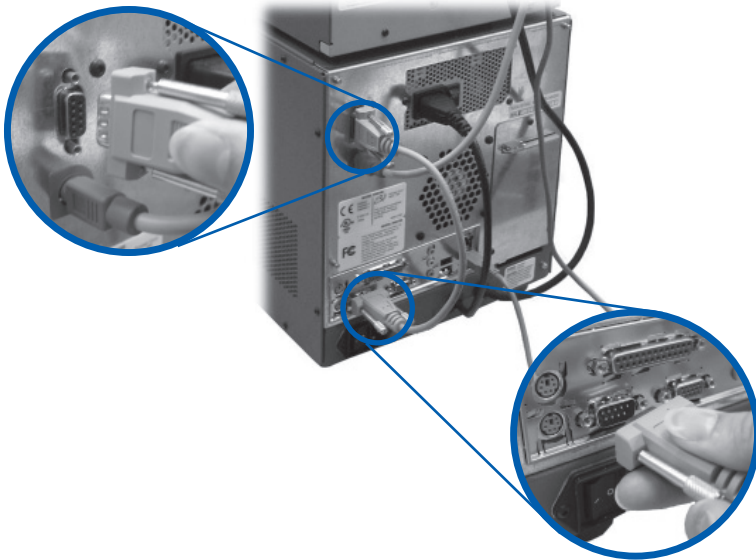
a. Connect the **serial cable** from the DLN5200 to the embedded PC.

b. Ensure that the **power switch** is in the off position.

d. Connect the **network cable** to the embedded PC.

c. Connect the **power cord** from the DLN5200 to a power outlet.

⚠ **Important!** Do not power on the DLN5200 until you are instructed to do so.

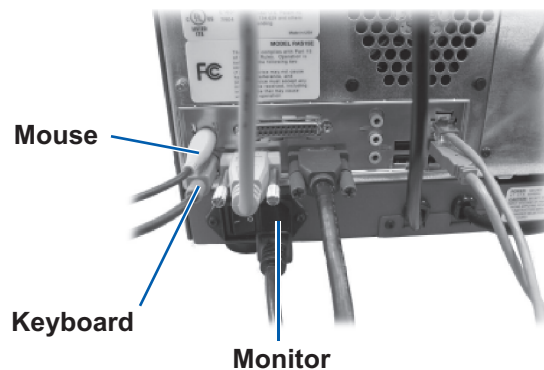


5 Connect a monitor, mouse, and keyboard (optional).

a. Connect the **mouse** to the embedded PC.

b. Connect the **keyboard** to the embedded PC.

c. Connect the **monitor** to the embedded PC.

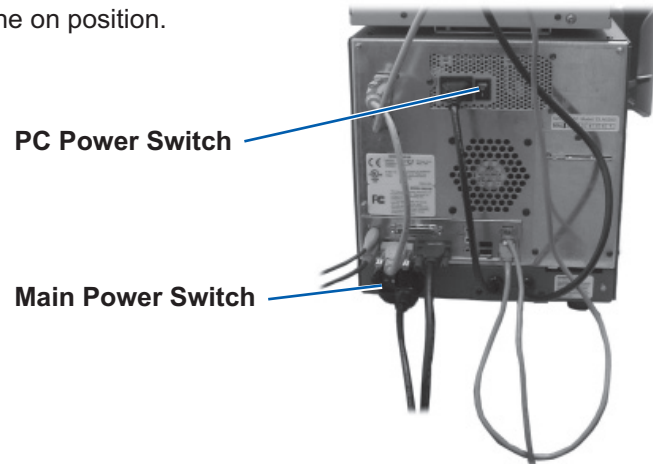



6 Install the front cover.



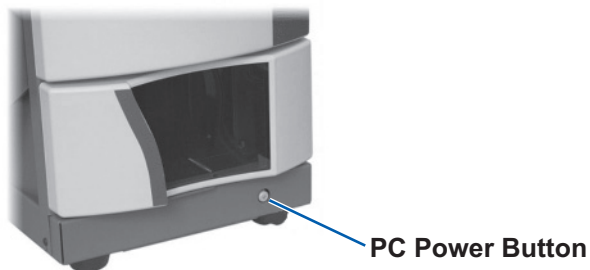
7 Power on the DLN5200.

- a. Set the **switches** to the on position.




 **Note:** The main power switch is used to apply power to the entire system, while the PC power switch applies power to the embedded PC. For more details, refer to your user guide.

- b. To power on the system, press the **PC power button**.



8 Configure the DLN5200 and add clients.

 **Important!** Rimage recommends that your Network Administrator use these instructions as a guide to complete the configuration and software installation.

If you will **submit jobs from other networked PCs**, refer to the *Advanced Setup Guide*.

If you connected a monitor, keyboard, and mouse, log into the Rimage DLN5200 with the following username and password:

Username: *Administrator*

Password: *password*

9 Activate your Rimage Software.

You have 30 days to activate your Rimage software. Until your software is activated, you will be prompted to activate your software each time you use the Rimage software.

When the activation dialog displays, select an option and follow the onscreen prompts to activate your software.

10 Learn more.

For information about submitting orders to the DLN5200 across a network, refer to the *Advanced Setup Guide*.

For information about operating and maintaining the DLN5200, refer to the *DLN5200 User Guide* included with your product.

For additional support and product information, go to www.rimage.com/support.html.