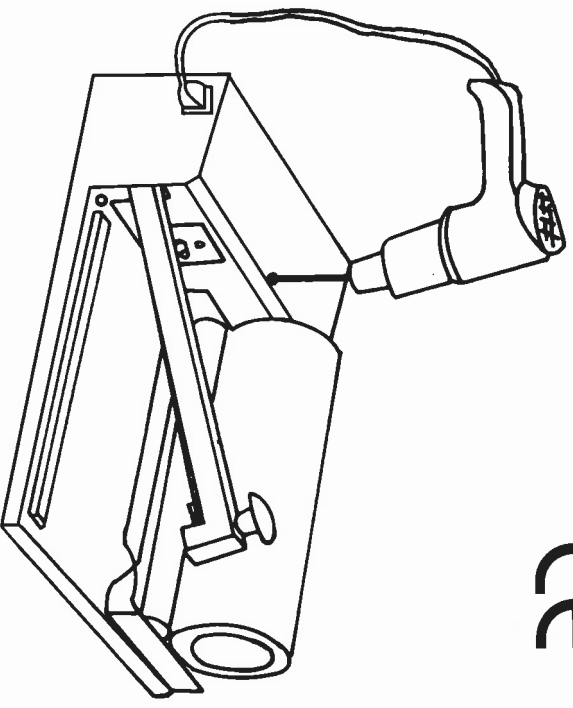
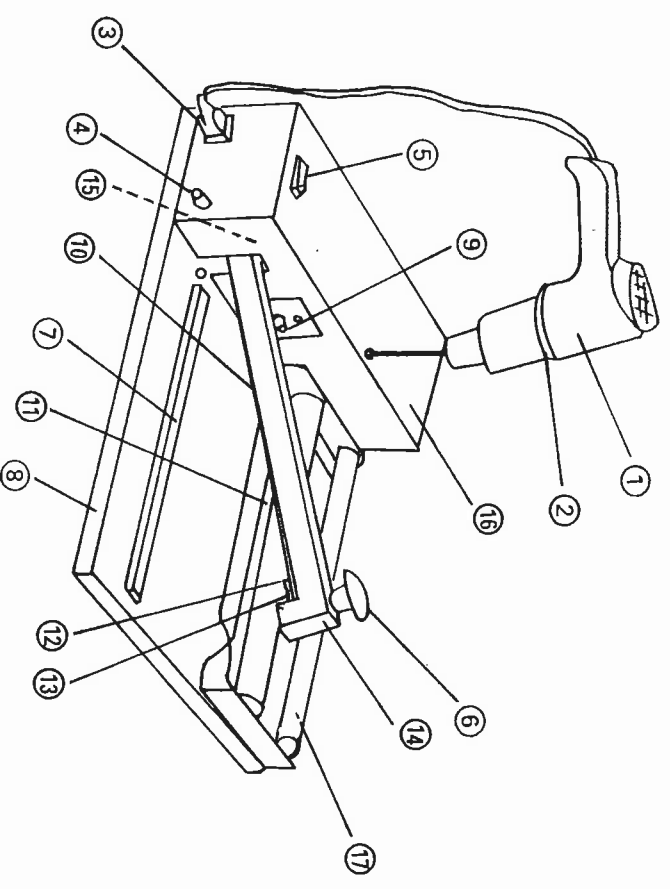


SHRINK WRAP SEALER
300SP 450SP 600SP
300IP 450IP 600IP 800IP
INSTRUCTION

CE



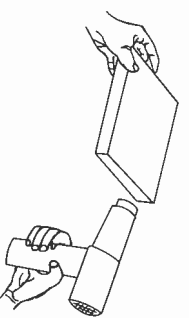
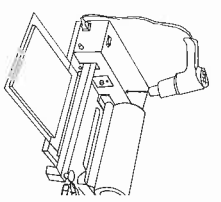
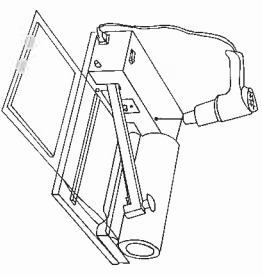
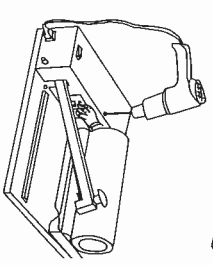
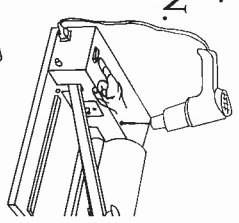
1 INSTRUCTION BOOKLET



- ① HEAT GUN
- ② HEAT GUN BRACKET
- ③ AC OUTLET
- ④ FUSE BRACKET
- ⑤ POWER SWITCH
- ⑥ HANDLE KNOB
- ⑦ SEALING SILICON
- ⑧ BASE PLATE
- ⑨ TIMER KNOB
- ⑩ HEATING ELEMENT
- ⑪ TEFLON TAPE
- ⑫ HEATING ELEMENT ATTACHMENT
- ⑬ WASHER FOR HEATER
- ⑭ PLATEN ARM
- ⑮ PLATEN SPRING
- ⑯ ENCLOSURE
- ⑰ ROLLER

2 OPERATING INSTRUCTION

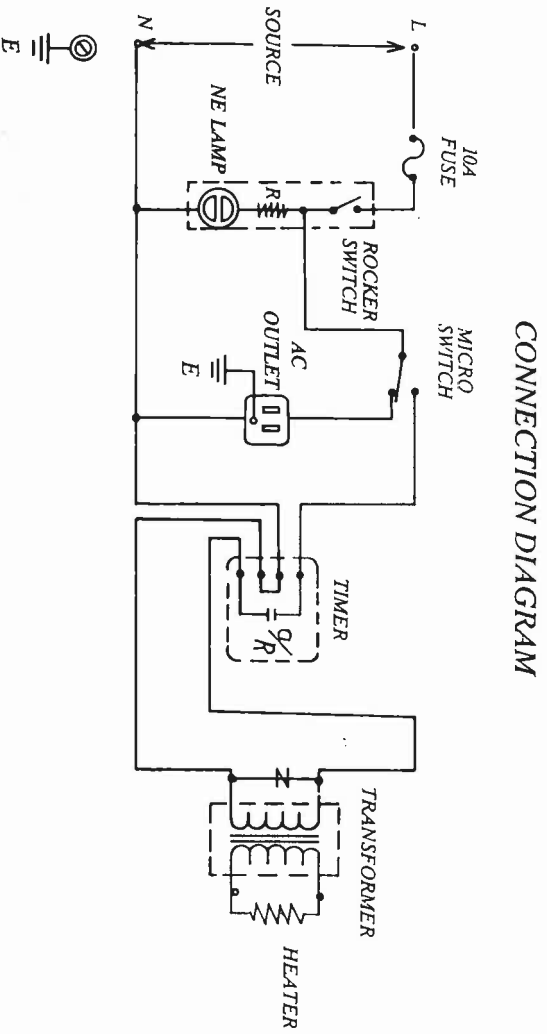
- (1) PLUG WIRE INTO GROUNDED OUTLET. SET POWER SWITCH TO "ON" POSITION.
- (2) SET SEALING TIMER ACCORDING TO THE SHRINK FILM THICKNESS.
- (3) PLACE THE OBJECT IN BETWEEN SHEETS OF THE FILM AND SEAL.
- (4) PUSH HANDLE DOWN. WHEN TIMING LIGHT GOES OFF, RELEASE THE ARM AND PULL THE FILM APART AT THE SEAL. TEAR THE RESULTING BAG FROM THE REST AND SEAL THE OPENING.
- (5) USE THE HEAT GUN TO EVENLY SHRINK THE FILM.



3 SPECIFICATIONS

MODEL	300SP/IP	450SP/IP	600SP/IP	800IP
SOURCE	120V-240V	120V-240V	120V-240V	120V-240V
POWER	250W	350W	450W	550W
SEALING TIMER	1.0-4SECC	1.0-4SECC	1.0-4SECC	1.0-4SECC
MAX SEAL LENGTH	330mm	450mm	600mm	800mm
WEIGHT	9Kg	10Kg	11Kg	12Kg
DIMENSIONS	44x52x15cm	44x68x15cm	44x82x15cm	44x98x15cm
HEAT GUN WATTS	600W/1200W	600W/1200W	600W/1200W	600W/1200W

4 CONNECTION DIAGRAM



5 HELPFUL INFORMATION

- Always keep the sealing platform clean. Particular care 'should' be taken to remove any residue from the teflon tape.
- Do not clean the sealing platform with anything wet.
- When replacing the heating element always check the condition of the bottom teflon tape. It is important that you replace the element wire only with the one made for this machine. You can damage the transformer with the wrong element wire.
- Occasionally check the condition of the bottom pad (silicon rubber) for wear or burn. A poor rubber pad will effect the quality of your seal.

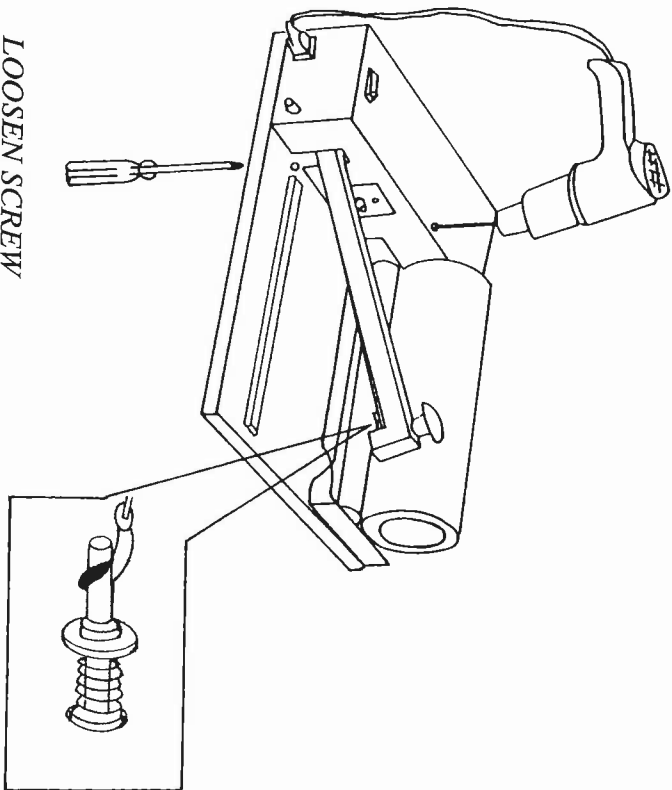
6 SPARE PARTS

ASSESSORIES	QTY
HEATING ELEMENT	1
FUSE	10Ax1
UPPER TEFLON CLOTH	2
LOWER HEATER CLOTH	1

7 CHANGING PARTS

REMOVE PLUG FROM ELECTRIC OUTLET

REPLACING HEATING ELEMENT WIRE



LOOSEN SCREW

HEATER TERMINAL ASSEMBLY

(a) Loosen teflon remove pressing teflon.

(b) Lift up teflon and remove broken element wire from heater spring boss.

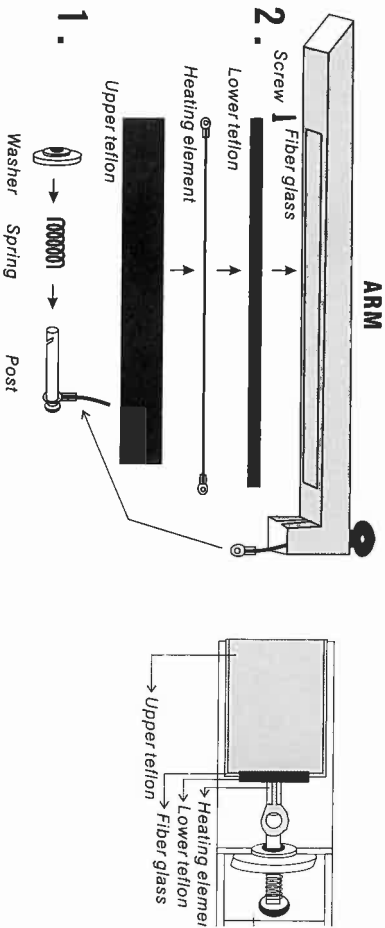
(c) Another heater wire terminal put on platen arm by screw.

(d) Put new element wire on heater spring boss and platen arm screw donot bend. (DO NOT BEND OR CRIMP THE WIRE)

(e) Replace teflon on the heater wire.

INSTRUCTIONS FOR INSTALLING HEATING ELEMENT, TEFLON INSULATING

1. Peel off adhesive backer of lower teflon strip and attach to the sealing arm. Place screw through loop on end of the heating element and attach to bottom of a
2. Connect the post to the power cord. Insert spring through post. Place washer through post and push it against spring so that both fit inside the head of the sealing arm (see diagram). Connect the heating element to the opening on the post. Remove the adhesive backer of upper teflon and place over the element.



8 CAUTIONARY MARKINGS

CAUTION -To reduce the risk of shock, disconnect the unit from the supply circuit before servicing the replacement of the heating element.

-To provide continued protection against risk of electric shock, connect to properly grounded outlet only.

-A live heating element is located in the arm under the teflon tape. Use caution during operation. DO NOT TOUCH THE ELEMENT.

WARNING -For Continued Protection Against Fire or Electric shock Replace Only With Type Cartridge and 10 Ampere Fuse Provided in legible adjacent to fuseholder.

-Close supervision is required when the product is used near children.